

Compact linear actuator for the installation on valves

- small deadband
- robust aluminium housing
- multiple setting possibilities
- metal coupling
- manual override
- interchangeable with Belimo-actuators with UNV-002 consolezz



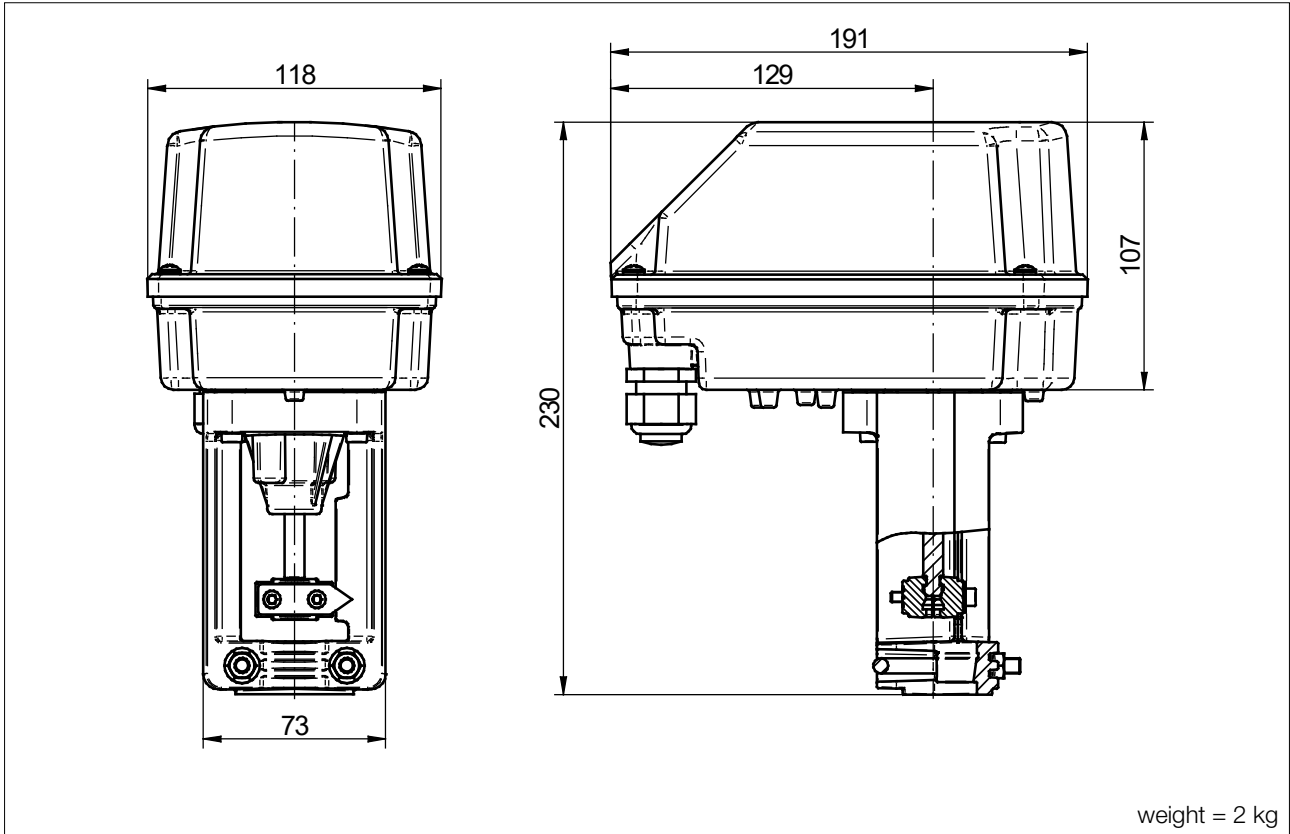
Technical data

Function	Control				On/Off	
Motor type	CA24C	CA260C	CA24C-R	CA260C-R	CA24	CA260
Mains connection	24V AC/DC	90-260V AC	24V AC/DC	90-260V AC	24V AC/DC	90-260V AC
Set point range	(0)2-10V / (0)4-20mA				3-term**	
Feedback	(0)2-10V / (0)4-20mA				optional	
Dead band	±0.6% of the entire stroke				-	
Repeatability	±0.3% of the entire stroke				-	
Limit switch	2				optional	
Potentiometer feedback	-				optional	
Max. switching capacity	24V AC/DC 200 mA				250V AC/DC 1A	
Actuating speed	1.5 / 2 / 3 s/mm (Standard: 2 s/mm)				2 or 3 s/mm (Standard: 3 s/mm)	
Safety functions	Monitoring of tensile force, set point, temperature of the electronics, etc.				Tensile force monitoring	
Diagnostic functions	Storage of motor and total operating time, temperature and directional classes, etc.				-	
Fail Safe position	-	-	freely adjustable		-	
Load	500 Ω for current set point / 95 kΩ for voltage set point				-	
Max. input	13 W	12 W	13 W	12 W	13 W	12 W
Input heating resistor	10 W					
Starting current heating resistor	6 A	2,5 A	6 A	2,5 A	6 A	2,5 A
Actuating power	800 N					
Protection class (EN 60529)	IP 65					
Adm. Ambient temperature	-10°C to +60°C					
Duty cycle	100%					

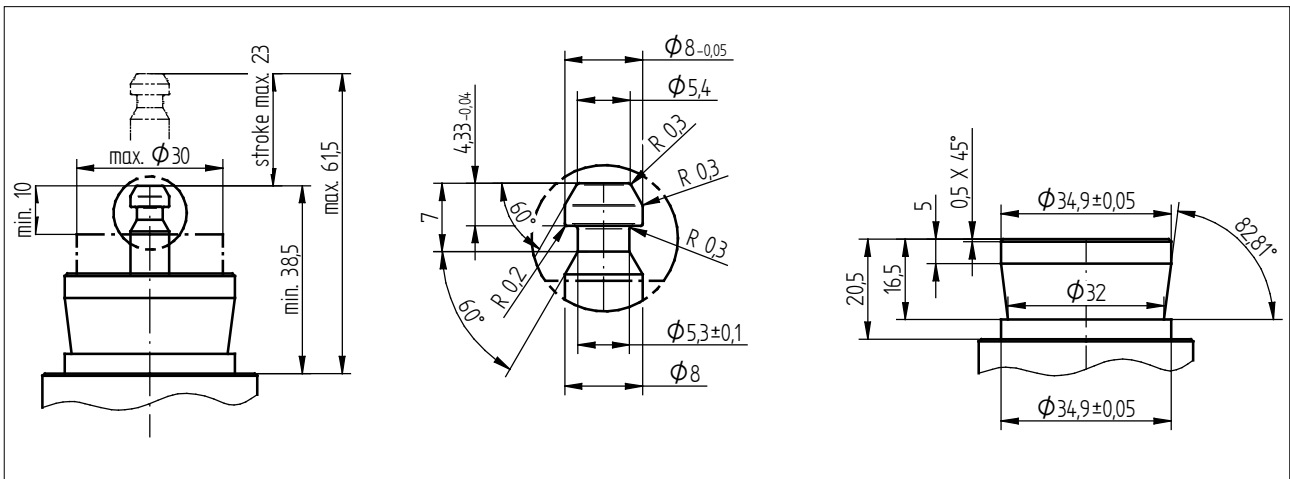
*: for control with volt-signal split range adjustments are possible

** : minimum switch on time 200ms

dimensions and weight



dimensions for mounting on a valve



dimensions in mm